



# CGR GHINASSI® GB RICAMBI® BUCKETS MULTI BRAND



## DIGGING BUCKETS

### OP WEIGHT 1,2 - 1,8 T

CODE	NET WEIGHT (KG)	TEETH N°	L (MM)	VOLUME (LIT)	A (MM)	B (MM)
GBTBM2-200	23	2	200	18	380	410
GBTBM2-300	30	3	300	22	380	410
GBTBM2-400	35	3	400	40	380	410
GBTBM2-500	42	4	500	51	380	410
GBTBM2-600	47	4	600	63	380	410

### OP WEIGHT 1,8 - 2,8 T

CODE	NET WEIGHT (KG)	TEETH N°	L (MM)	VOLUME (LIT)	A (MM)	B (MM)
GBTBM3-200	30	2	200	30	440	500
GBTBM3-300	39	3	300	36	440	500
GBTBM3-400	45	3	400	52	440	500
GBTBM3-500	52	4	500	69	440	500
GBTBM3-600	59	4	600	86	440	500
GBTBM3-800	74	5	800	120	440	500

### OP WEIGHT 2,8 - 4,0 T

CODE	NET WEIGHT (KG)	TEETH N°	L (MM)	VOLUME (LIT)	A (MM)	B (MM)
GBTBM4-200	48	2	200	40	520	550
GBTBM4-300	55	3	300	50	520	550
GBTBM4-400	60	3	400	70	520	550
GBTBM4-500	67	4	500	93	520	550
GBTBM4-600	72	5	600	116	520	550
GBTBM4-800	80	5	800	150	520	550

All spare parts listed are interchangeable with genuine ones.  
All manufacturer's names, numbers, symbols and descriptions are used for reference purposes only.  
Image in this catalogue are purely indicative.



# BUCKETS

## OP WEIGHT 4,0 - 5,0 T

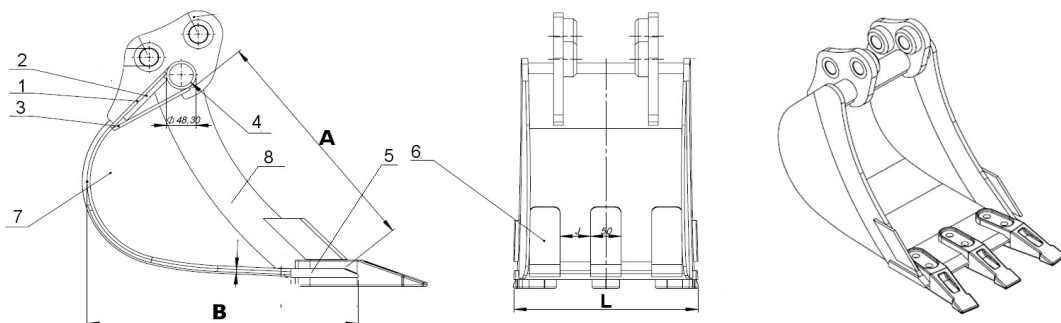
CODE	NET WEIGHT (KG)	TEETH N°	L (MM)	VOLUME (LIT)	A (MM)	B (MM)
GBTBM5-200	60	2	200	50	620	680
GBTBM5-300	71	3	300	60	620	680
GBTBM5-400	86	3	400	83	620	680
GBTBM5-500	98	4	500	110	620	680
GBTBM5-600	116	5	600	125	620	680
GBTBM5-800	140	6	800	160	620	680

## OP WEIGHT 5,0 - 7,5 T

CODE	NET WEIGHT (KG)	TEETH N°	L (MM)	VOLUME (LIT)	A (MM)	B (MM)
GBTBM6--300	83	3	300	110	660	760
GBTBM6- 350	91	3	350	117	660	760
GBTBM6- 400	98	3	400	125	660	760
GBTBM6- 450	104	3	450	135	660	760
GBTBM6- 500	117	4	500	155	660	760
GBTBM6- 600	136	5	600	170	660	760
GBTBM6- 800	149	6	800	190	660	760
GBTBM6- 900	163	6	900	210	660	760
GBTBM6- 1000	182	6	1000	240	660	760

## OP WEIGHT 7,5 - 10 T

CODE	NET WEIGHT (KG)	TEETH N°	L (MM)	VOLUME (LIT)	A (MM)	B (MM)
GBTBM7-300	98	3	300	110	720	810
GBTBM7-350	109	3	350	117	720	810
GBTBM7-400	125	3	400	125	720	810
GBTBM7-450	145	3	450	135	720	810
GBTBM7-500	148	4	500	155	720	810
GBTBM7-600	160	4	600	170	720	810
GBTBM7-800	175	5	800	190	720	810
GBTBM7-900	195	6	900	210	720	810
GBTBM7-1000	210	6	1000	240	720	810



## DITCH CLEANING BUCKETS

### OP WEIGHT 1,2 - 1,8 T

CODE	NET WEIGHT (KG)	A (MM)	L (MM)	VOLUME (LIT)
GBTBMC2- 800	56	340	800	64
GBTBMC2-1000	66	340	1000	82

### OP WEIGHT 1,8 - 2,8 T

CODE	NET WEIGHT (KG)	A (MM)	L (MM)	VOLUME (LIT)
GBTBMC3-1000	70	380	1000	96
GBTBMC3-1200	79	380	1200	116

### OP WEIGHT 2,8 - 4,0 T

CODE	NET WEIGHT (KG)	A (MM)	L (MM)	VOLUME (LIT)
GBTBMC4-1000	94	440	1000	135
GBTBMC4-1200	110	440	1200	147
GBTBMC4-1400	128	440	1400	160

### OP WEIGHT 4,0 - 5,0 T

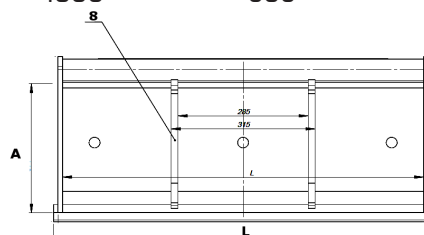
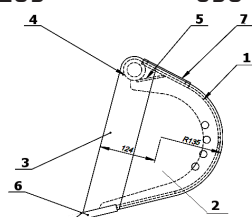
CODE	NET WEIGHT (KG)	A (MM)	L (MM)	VOLUME (LIT)
GBTBMC5-1200	141	500	1200	215
GBTBMC5-1400	165	500	1400	245

### OP WEIGHT 5,0 - 7,5 T

CODE	NET WEIGHT (KG)	A (MM)	L (MM)	VOLUME (LIT)
GBTBMC6-1200	137	550	1200	320
GBTBMC6-1500	160	550	1500	420
GBTBMC6-1800	201	550	1800	495

### OP WEIGHT 7,5 - 10 T

CODE	NET WEIGHT (KG)	A (MM)	L (MM)	VOLUME (LIT)
GBTBMC7-1200	183	590	1200	326
GBTBMC7-1400	212	590	1400	387
GBTBMC7-1600	240	590	1600	445
GBTBMC7-1800	269	590	1800	505





## QUICK COUPLERS

### OP WEIGHT 1,2 - 1,8 T

CODE	TYPE	NET WEIGHT (KG)
GBMBS-2	MECHANICAL	25
GBHBS-2	HYDRAULIC	28

### OP WEIGHT 1,8 - 3,0 T

CODE	TYPE	NET WEIGHT (KG)
GBMBS-3	MECHANICAL	30
GBHBS-3	HYDRAULIC	32

### OP WEIGHT 3,0 - 4,5 T

CODE	TYPE	NET WEIGHT (KG)
GBMBS-4	MECHANICAL	40
GBHBS-4	HYDRAULIC	40

### OP WEIGHT 4,5 - 6,0 T

CODE	TYPE	NET WEIGHT (KG)
GBMBS-5	MECHANICAL	55
GBHBS-5	HYDRAULIC	55

### OP WEIGHT 6,0 - 10 T

CODE	TYPE	NET WEIGHT (KG)
GBMBS-6	MECHANICAL	65
GBHBS-6	HYDRAULIC	65

